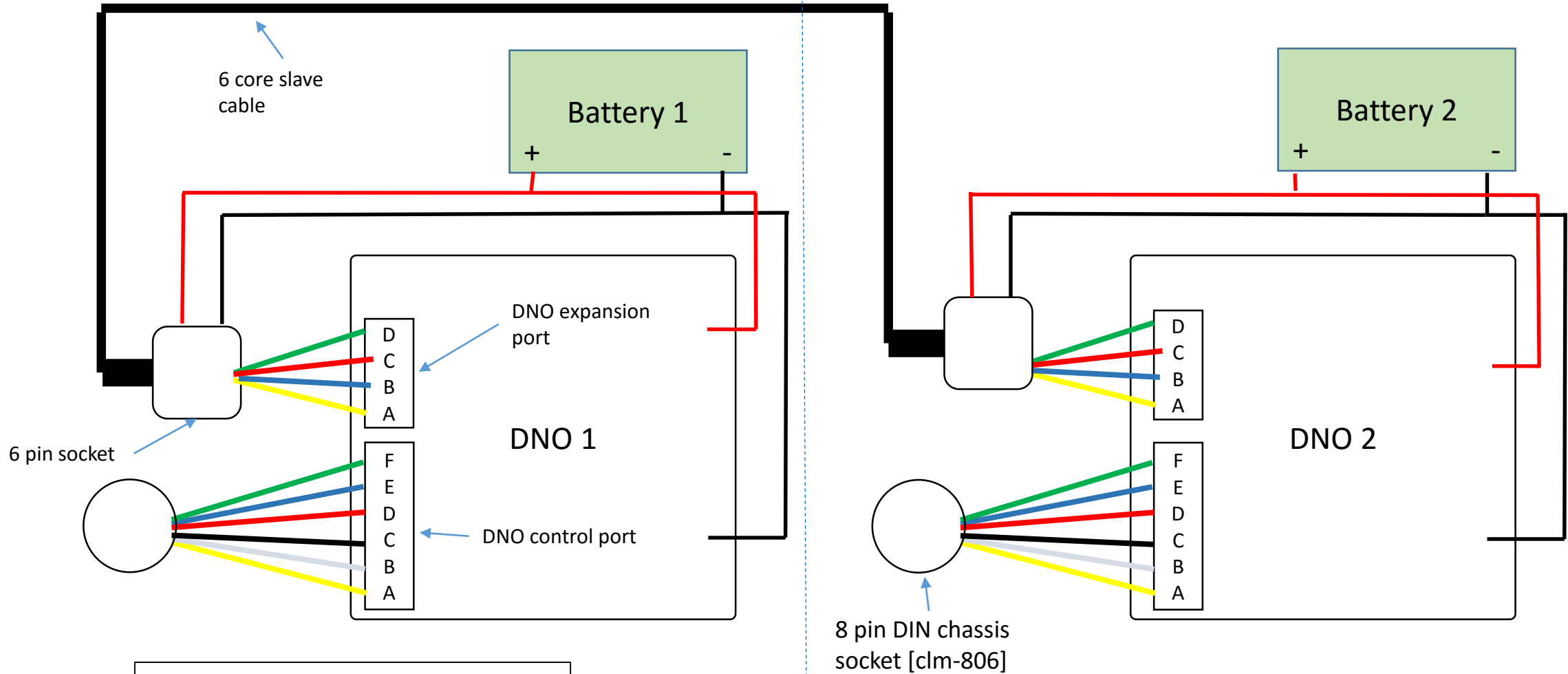


DNO double heading wiring diagram

Engine 1

Engine 2

Note 1: Never connect the slave cable without having the batteries connected to both DNOs.



Note 2: Plug the hand control box into either 8 pin DIN chassis socket.

Note 3: Please read the section on the expansion connector in the DNO manual.