



Instruction Manual

Remote display box DBX-X60

Contents

Section	Page	Section	Page
1. Description.....	1	3. Fitting.....	2
2. Connections.....	2	4. Notes.....	3

1. Description

- The remote display box allows the display to be mounted separately from the controller itself for more convenient viewing.
- It has a keypad to make profile changes and access the advanced functions without needing to access the controller itself.

2. Connections

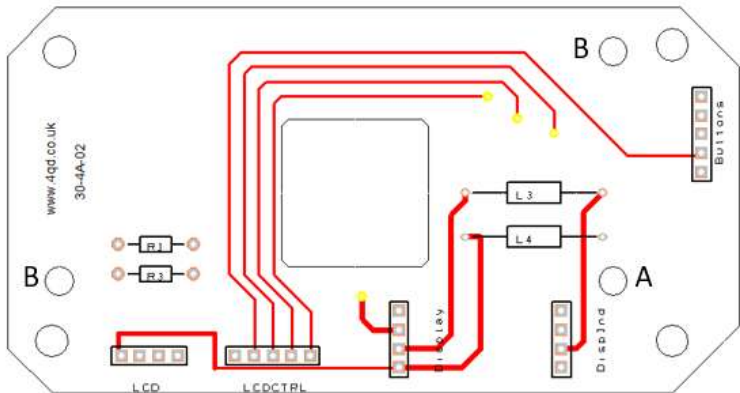
The DBX-X60 has the following connections

- LCD – this socket should be connected to the corresponding LCD socket on the Pro-160 / 360 control board.
- LCDCTRL – this socket should be connected to the corresponding LCDCTRL socket on the Pro-160 / 360 control board.
- Display – this socket should be connected to the 4 pins on the LCD module. The green wire should go to the pin marked GND on the LCD.
- DisplayInd – this socket is not generally fitted, it is there for use in challenging electrically noisy environments.
- Buttons – this socket is for the ribbon cable from the keypad.

3. Fitting

The DBX-X60 is usually supplied without a display, to fit the one that is supplied with the Pro-160 / 360 follow these steps.

1. Remove the Pro-160 / 360 cover, and disconnect the cover keypad ribbon cable from the LCDCTRL socket [if connected].
2. Unscrew the three display mounting screws, and unplug the short display cable from the LCD socket [leave it plugged in to the 4 pins on the LCD module].
3. Plug one end of the 4-wire display extender cable into the LCD socket on the DBX-X60 board, pass the other end through the hole in the board and box.
4. Plug one end of the 5-wire keypad extender cable into the LCDCTRL socket on the DBX-X60 board, pass the other end through the hole in the board and box.
5. Plug the 100mm display cable into the Display socket on the DBX-X60 board.
6. Fit the LCD module onto the 3 white plastic spacers and secure with the M3 nuts.
7. Plug the ribbon cable from the DBX-X60 cover keypad into the Buttons socket [as per the photo below], and fix the cover onto the base using the supplied screws.
8. After mounting the DBX-X60 in the desired location plug the loose end of the display extender cable into the LCD socket on the Pro-160 / 360 control board.
9. Plug the loose end of the keypad extender cable into the LCDCTRL socket on the Pro-160 / 360 control board.



4. Notes

- The DBX-X60 is normally supplied with 1m leads. For 2m or more we recommend using the optional screened cables.
- The DBX-X60 box is rated to IP54, but there is a hole in the back. If it is intended for external unprotected installation, steps should be taken to seal the hole against water ingress.